

Waterproof IR Bullet IP Camera ZNO-6010 HD-TRF Series

Specifications

This specification applies to ZNO-6010 HD-TRF /(-W)

1.Basic Description

ZNO-6010 HD-TRF series based on IP network,achieve network digital surveillance,transmit clear, smooth video surveillance images.

ZNO-6010 HD-TRF series use 1/3" Progressive Scan CMOS and advanced H.264 codec,Effective Pixels :1920*1080,Excellent low light performanc.Use 3D smart noise reduction function,In the low-light environment, reduce noise,ensure the edge of the moving object clear.Supports dual streaming, Transmit high-quality H.264 video in the low-bandwidth network environment smooth , also supports MJPEG compression; Built-in fixed aperture zoom lens support day/ night auto conv erting ;



dual IR-Cut filter,even in low light environment or even black can output a clear picture. 4 IR LEDs,IR distance 50m.Support audio, alarm function, provide third-party systems integration interface.

This series of products using the waterproof design and removable shell,not only provides excellent waterproof and dustproof performance, but also easy installation and removal, suitable for indoor / outdoor environment.

The series of products applicable for safe city, traffic, factories , finance, parks and other places,It is a good choice that upgrade from analog surveillance to network digital surveillance

With video surveillance system software platform, can realize different network

environments of large-scale network surveillance.

2.Expand Type

Basic Type: ZNO-6010 HD-TRF

WIFI Type: ZNO-6010 HD-TRF -W

3.Key Features

- ◆ Max resolution:1920×1080, output Real-time Full HD 1080P image
- ◆ 1/3" Progressive Scan CMOS,Capture motion images without jagged
- ◆ Excellent low light performanc,Min.Illumination: 0.001Lux@(F1.2)
- ◆ 3D smart noise reduction function
- ◆ Support Color/BW mode converting (dual IR-Cut filter)
- ◆ Built-in fixed aperture zoom lens,Focal Length :2.8-12mm
- ◆ 4 IR LEDs,IR distance 50m
- ◆ H.264/MJPEG is optional, dual streaming, low bandwidth, and high quality.
- ◆ Support two-way talking
- ◆ Support Micro SDHC card storage,SD2.0 standard,maximum storage 32G
- ◆ Support 4 areas privacy mask
- ◆ Support motion detection, network fault detection and alarm video, image snapping
- ◆ Built-in Web server enables the use of a standard Web browser for viewing and management.
- ◆ Support ONVIF protocol

4.Applications Scenarios

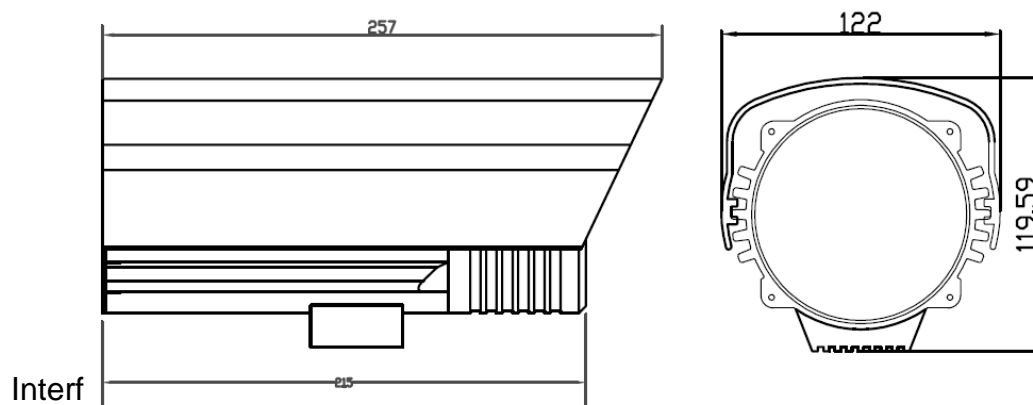
Applicable for safe city, traffic, factories , finance, parks and other places.

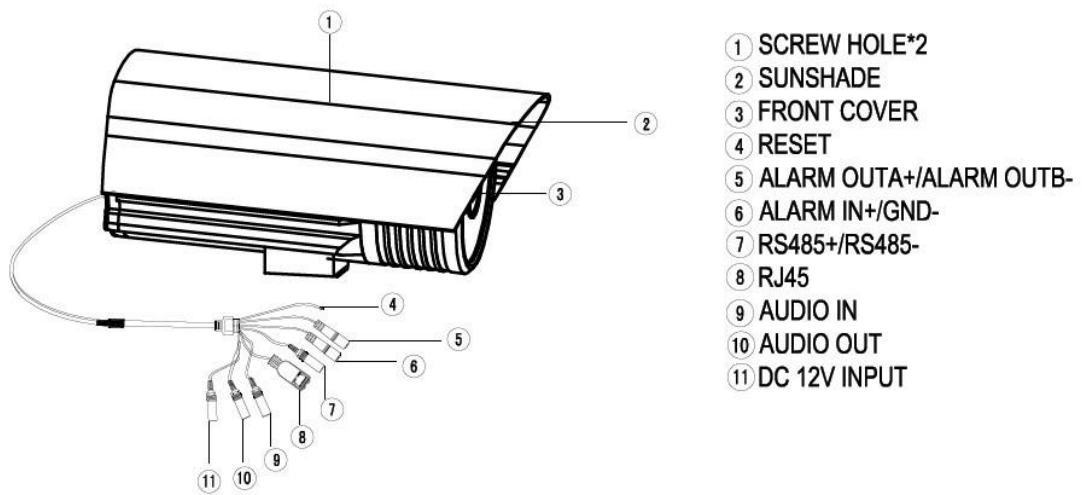
5. Technical parameters

Model		ZNO-6010 HD-TRF
Hardware		
Network chip	Lan	Realtek 10/100M BASE-TX Self-adapting
Sensor		1/3" Progressive Scan CMOS
Effective Pixels		1920(H)×1080(V)
Min.Illumination		Color Mode:0.1Lux@F1.2 ;B/W Mode:0Lux@(F1.2 IR ON)
S/N		≥50db(AGC OFF)
Day/night		Auto,with ICR
IR Parameters		4 IR LEDs,IR distance 50m
Auto Electronic Shutter		1/25—1/100000sec,Slow shutter:1/2,1/4,1/8,1/12
Interfaces		
Optical lens	Interfac es	Φ14
	Lens	Fixed Iris
	Focal Length	5-15mm
Audio Talkback		1 channel MIC input, External access, 3.5 mm audio interface
Audio Output		1 channel linear output, 3.5 mm audio interface
Storage Interface		Micro SDHC card supports video storage and image snapping; SD2.0 standard,maximum storage 32G
Network Interface	Lan	10/100M BASE-TX,RJ-45 connector
I/O		1-channel input, Normally Open/Normally Close modes adjustable; 1-channel output, 120VAC 1A/24VDC 1A,1 RS485 interface
Audio video encoding		
Video Compression		H.264 Main Profile; MJPEG/JPEG Baseline
Resoluti on	Master Streami ng	1920*1080,1-25(30)fps/sec 1280*960,1-25(30)fps/sec 1280*720,1-25(30)fps/sec
	Second Streami ng	640*480,1-25fps/sec 320*240,1-25fps/sec 160*112,1-25fps/sec
Video Bitrate		32Kbps~16Mbps,Supports CBR/VBR
Title OSD		Supports channel name, date, and video stream information overlay;OSD location is adjustable
Audio		G.711, G.726,support 32 K stereo

Compression		
Data transmission and storage		
Data storage	Video and Image	
Recording	Recording set up to record by motion trigger,alarm trigger, manual, or schedule	
Alarm Output	FTP,E-mail, Explorer, Software	
Network protocol	TCP/IP,UDP,RTP,RTSP,RTCP,HTTP,DNS,DDNS,DHCP,FTP,NTP,PPPOE,SMTP,UPNP	
Wireless protocols(-W)	802.11b/g,Supports WEP,WPA,WPA2("-w" model supports)	
ONVIF protocol	Support	
Remote View	Computer	IE 6.0 or up, max 10user
	Mobile Phone	Windows Mobile,Symbian,iPhone
General Parameters		
Operating Temperature	-10°C - +55°C	
Operating Humidity	0% - 90%	
Power	DC12V	
Power Consumption	15W(MAX)	
Dimension	257(L) *122(W)*120(H)mm	
Weight	1.8KG	

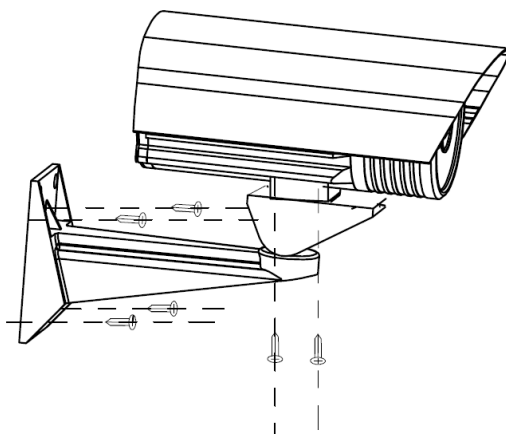
6.Dimension Drawing:





7.Installation Guide

Bracket Installation



Lens adjustment

